

Non pathogenic application protection.
Against external contaminants and sample cross contamination.

- Samples preparation before thermocycling
- Post PCR DNA sequencing revelation / separation
- In Vitro fecondations

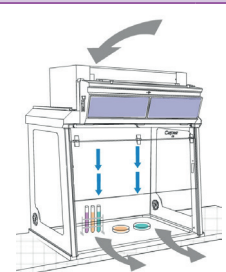
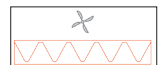
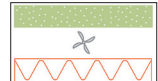
- Cellular cultures
- Vegetal Biology
- Sterile solutions preparations

Technical specifications

Dimensions (mm)						
Ref.	External dimensions			Internal dimensions		
	Width	Depth	Height	Width	Depth	Height
321	32" 1/4	24" 3/4	34" 7/8 mini 38" maxi	30" 1/8	21" 5/8	20" 11/16

Structure	
Metallic parts	Anti-corrosion steel coated with 100% polyester
Side and front panels	Synthetic glass Thickness (0.39 inch) adapted for the user protection against rays (Bêta) (32P : Phosphorus - 14C : Carbon - 14 3H : Tritium)
Ventilation module	Injected polypropylene

Specifications	
Number of fans (IP44)	1
Processed Air Flow	118 CFM
Number of HEPA H14 filter	1
Number of optional molecular carbon filters	1
Number of UV lamp	1
Number Compact tubular fluorescent lighting	1
Voltage / Frequency	230 V / 50-60Hz
Total power consumption max including electricity for the lights	75 W
Amperage absorbed	0,32 A

Filtration column	
	
<p>Type IP HEPA H14 FILTER</p> <p>This filtration technology traps particles larger than 0.1 µm with 99.995% efficiency, according to the MPPS method set forth in the EN 1822-1 standard.</p>	
<p>Type IPIC : HEPA H14 Filter + molecular filter</p> <p>Adding a carbon filter to your vented cabinet allows you to protect its volume from gaseous pollutants present in your laboratory environment</p>	

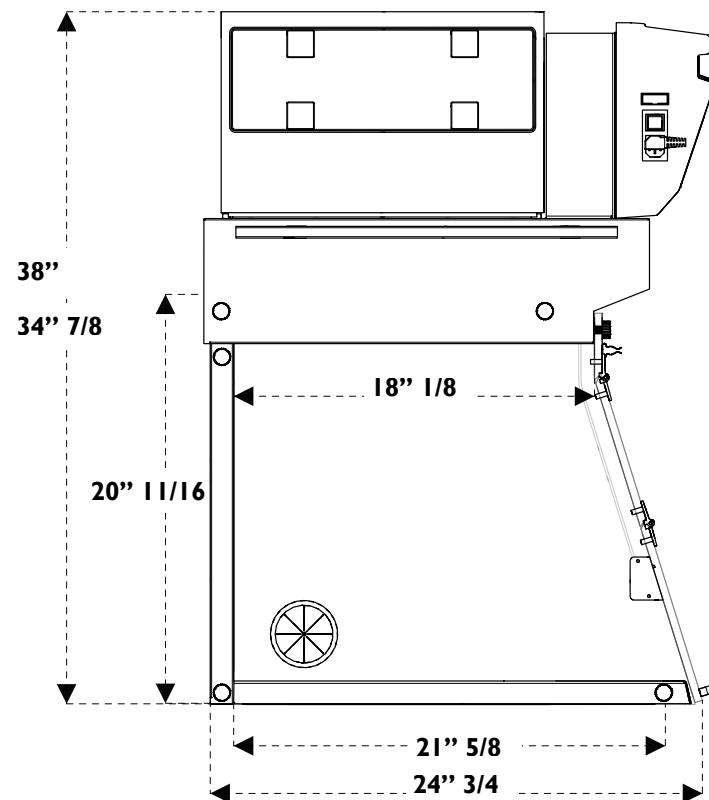
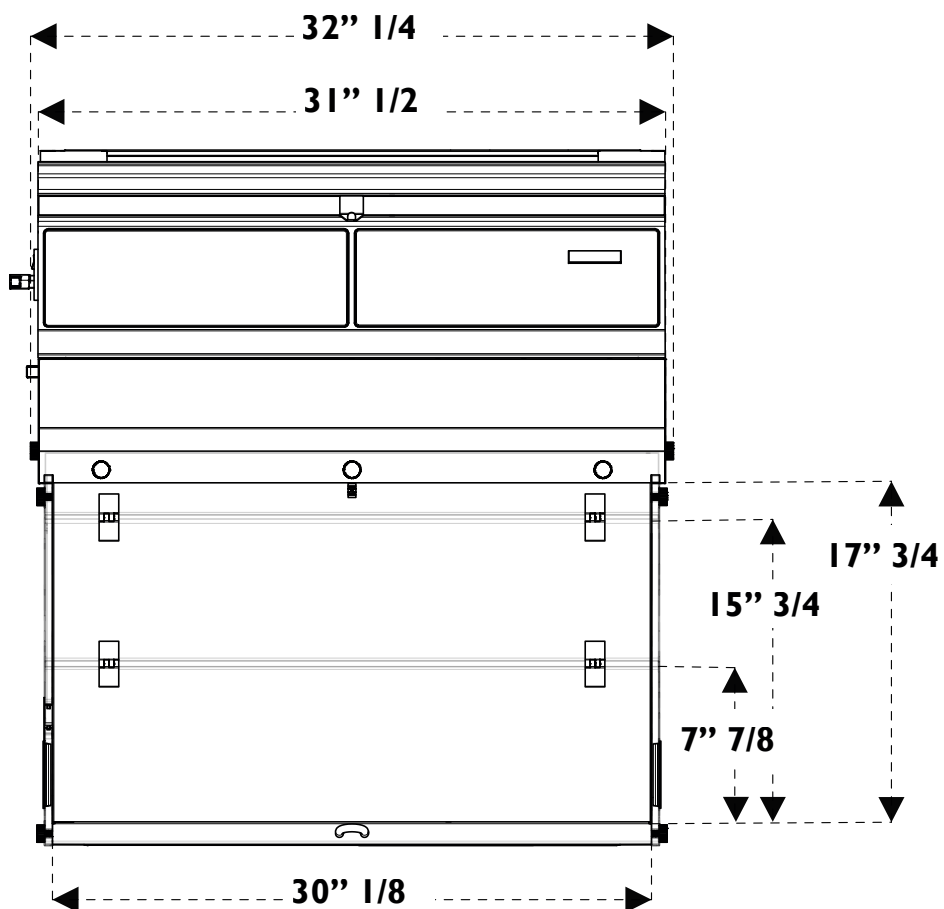
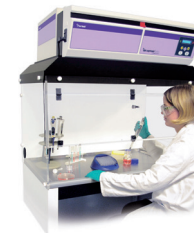
Equipment

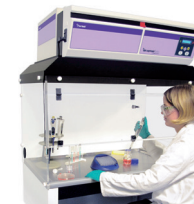
Standard Equipment	
Bactericidal UV Lamps	15W - Wavelength : 254 nm
UV cut-off	Automatic shut off of the UV lamp when the front shield is opened
U.V. Timer	UV timer set up : from 1 to 30 minutes
Flow monitor	Permanent ventilation control device
Energy ports	For the passage of cables
Internal lighting	Compact tubular fluorescent lighting - 18Watts - 500 Lux - IP 67
Particular Pre-filter	Protect HEPA and molecular filters from dust contained into the laboratory environment

Optional Equipment	
Work surface in stainless steel	Work surface in stainless steel 304 L with built-in retention tray
Tempered glass Work surface	Tempered glass work surface with sealed frame
Mobicap	Rolling cart made of anti-corrosion metallic alloy
Benchcap	Fixed work bench made of anti-corrosion metallic alloy
Shelf	Adjustable sliding shelf for Mobicap and Benchcap
Molecular filter	Carbon filter for the adsorption of ambient air VOCs (AS-BE+-F-K types, see our current pricelist)

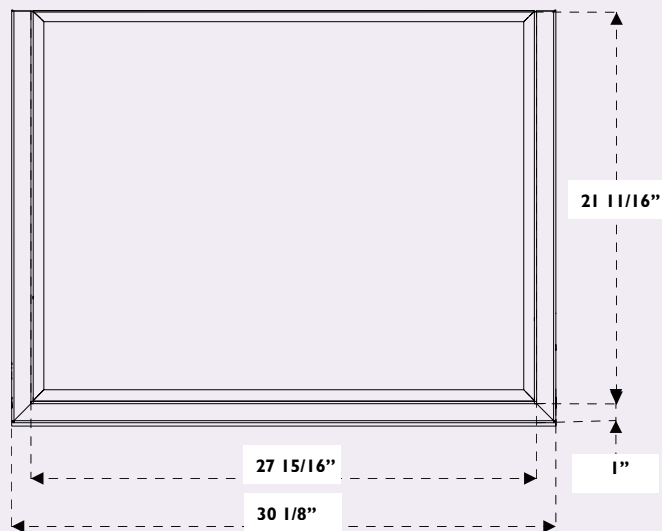
Compliance to standards

- Air quality within the enclosure: ISO 5*
- *When used in a cleanroom in compliance with ISO 9 / EN 14-644 standard.
- CE Marking





Work surface in stainless steel
304 L with built-in retention tray



Tempered glass work surface
with sealed frame

