



**UV radiance enclosure.**  
For samples protection against cross-contamination.

- Samples preparation before thermocycling
- Post PCR DNA sequencing revelation / separation
- In Vitro fecondations

- Cellular cultures
- Vegetal Biology...

### Technical specifications

Dimensions (mm)						
Ref.	External dimensions			Internal dimensions		
	Width	Depth	Height	Width	Depth	Height
320	825	630	647	765	550	525

Specifications	
Number of UV lamp	1
Number Compact tubular fluorescent lighting	1
Voltage / Frequency	230 V / 50-60Hz
Total power consumption max including electricity for the lights	18 W
Amperage absorbed	0,08 A

Structure	
Metallic parts	Anti-corrosion steel coated with 100% polyester
Side and front panels	Synthetic glass Thickness adapted for the user protection against rays (Bêta), 32P, Phosphorus: 10mm

### Equipment

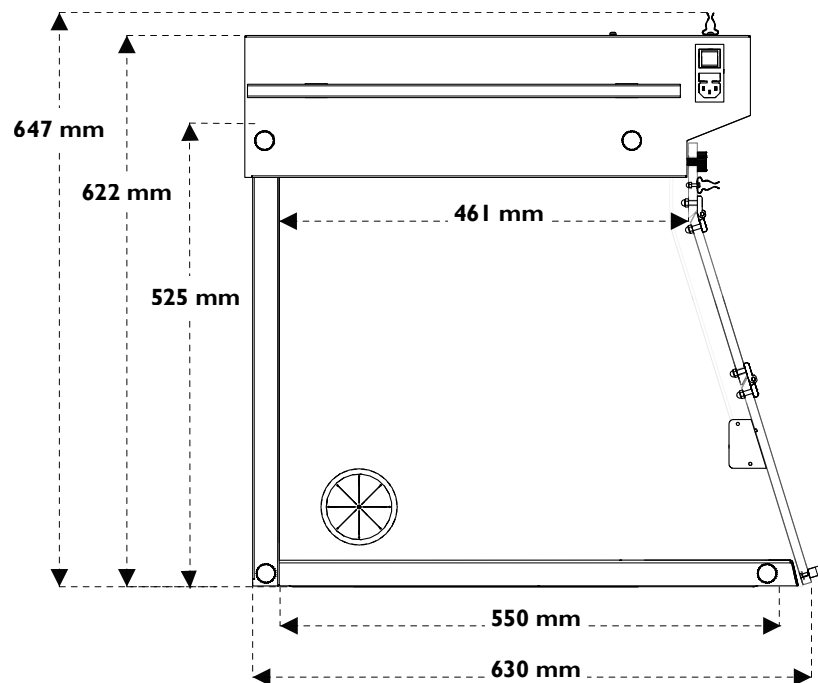
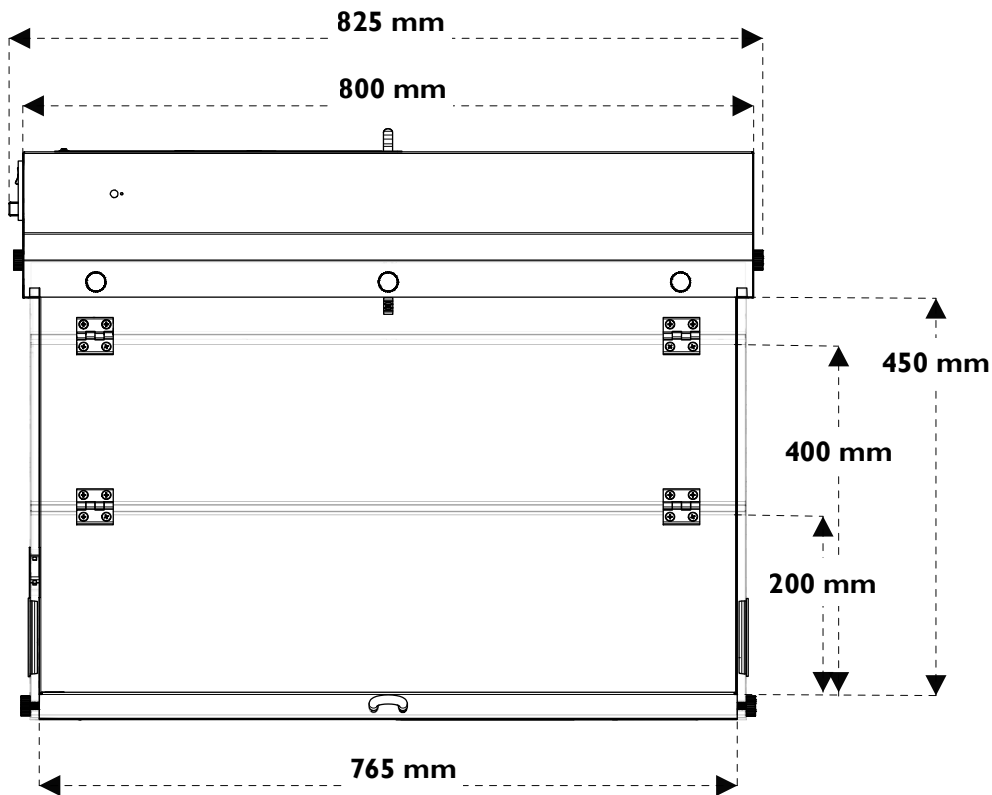
Standard Equipment	
Bactericidal UV Lamps:	15W - Wavelength : 254 nm
UV cut-off	Automatic shut off of the UV lamp when the front shield is opened
U.V. Timer	UV timer set up : from 1 to 30 minutes
Energy ports	For the passage of cables
Internal lighting	Compact tubular fluorescent lighting - 18 Watts - 500 Lux - IP 67

Standard Equipment	
Work surface in stainless steel	Work surface in stainless steel 304 L with built-in retention tray
Tempered glass Work surface	Tempered glass work surface with sealed frame

Optional Equipment	
Mobicap	Rolling cart made of anti-corrosion metallic alloy
Benchcap	Fixed work bench made of anti-corrosion metallic alloy
Shelf	Adjustable sliding shelf for Mobicap and Benchcap

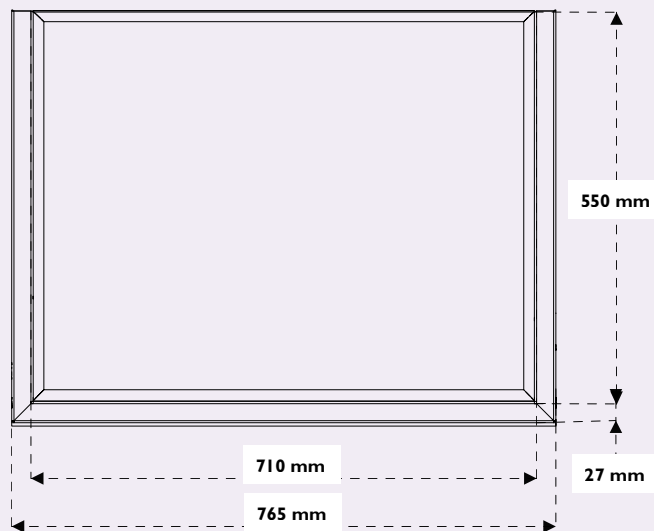
### Compliance to standards

■ CE Marking





Work surface in stainless steel  
304 L with built-in retention tray



Tempered glass work surface  
with sealed frame

