



Operations in an ultra-clean, dust-free environment:

- Non-pathogenic cell cultures
- In-vitro cultures
- Microbiology (Non-pathogenic)

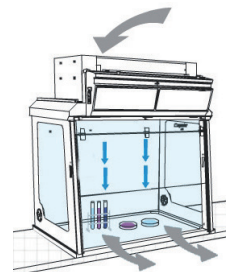
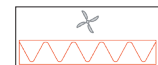
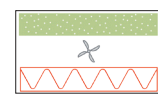
- Homeopathic preparations in pharmacies,
- Electronics
- Optics, etc.

Technical specifications

| Dimensions (mm) | | | | | | |
|-----------------|---------------------|-------|------------------|--|-------|--------|
| Ref. | External dimensions | | | Internal dimensions without work surface | | |
| | Width | Depth | Height mini/maxi | Width | Depth | Height |
| 714 | 1800 | 800 | 1315/1395 | 1765 | 695 | 1040 |

| Structure | |
|------------------------------|--|
| Metallic parts | Anti-corrosion steel coated with 100% polyester |
| Side and front panels | High optical purity, colourless and transparent acrylic. Inert to most aggressive chemicals. |
| Filtration module | Injected polypropylene |

| Specifications | |
|---|---|
| Number of fans (IP44) | 4 |
| Processed air flow | IP: 1024 m ³ /h IPIC: 656 m ³ /h |
| Voltage / Frequency | 90-264 V / 50-60Hz |
| Total power consumption including electricity for the lights | 261 W |
| Amperage absorbed | 0,98 A |
| Air velocity at openings | 0,3 m/s |

| Filtration column | |
|--|--|
|  | |
| <p>Type IP HEPA H14 FILTER</p> <p>This filtration technology traps particles larger than 0.1 µm with 99.995% efficiency, according to the MPPS method set forth in the EN 1822-1 standard.</p> |  |
| <p>Type IPIC : HEPA H14 Filter + molecular filter</p> <p>Adding a carbon filter to your vented cabinet allows you to protect its volume from gaseous pollutants present in your laboratory environment</p> |  |

Equipment

| Standard Equipment | |
|--------------------------|---|
| Flow monitor | Permanent ventilation control device |
| Internal lighting | Compact tubular fluorescent lighting - 18 Watts - 500 Lux - IP 67 |
| Energy ports | For the passage of cables |

| Options | |
|-------------------------|--|
| Work surface N°1 | Work surface in stainless steel 304 L with built-in retention tray |
| Work surface N°2 | In phenolic resin with built-in retention tray |
| Benchcap | Fixed work bench made of anti-corrosion metallic alloy |
| Shelf | Adjustable sliding shelf for Benchcap |

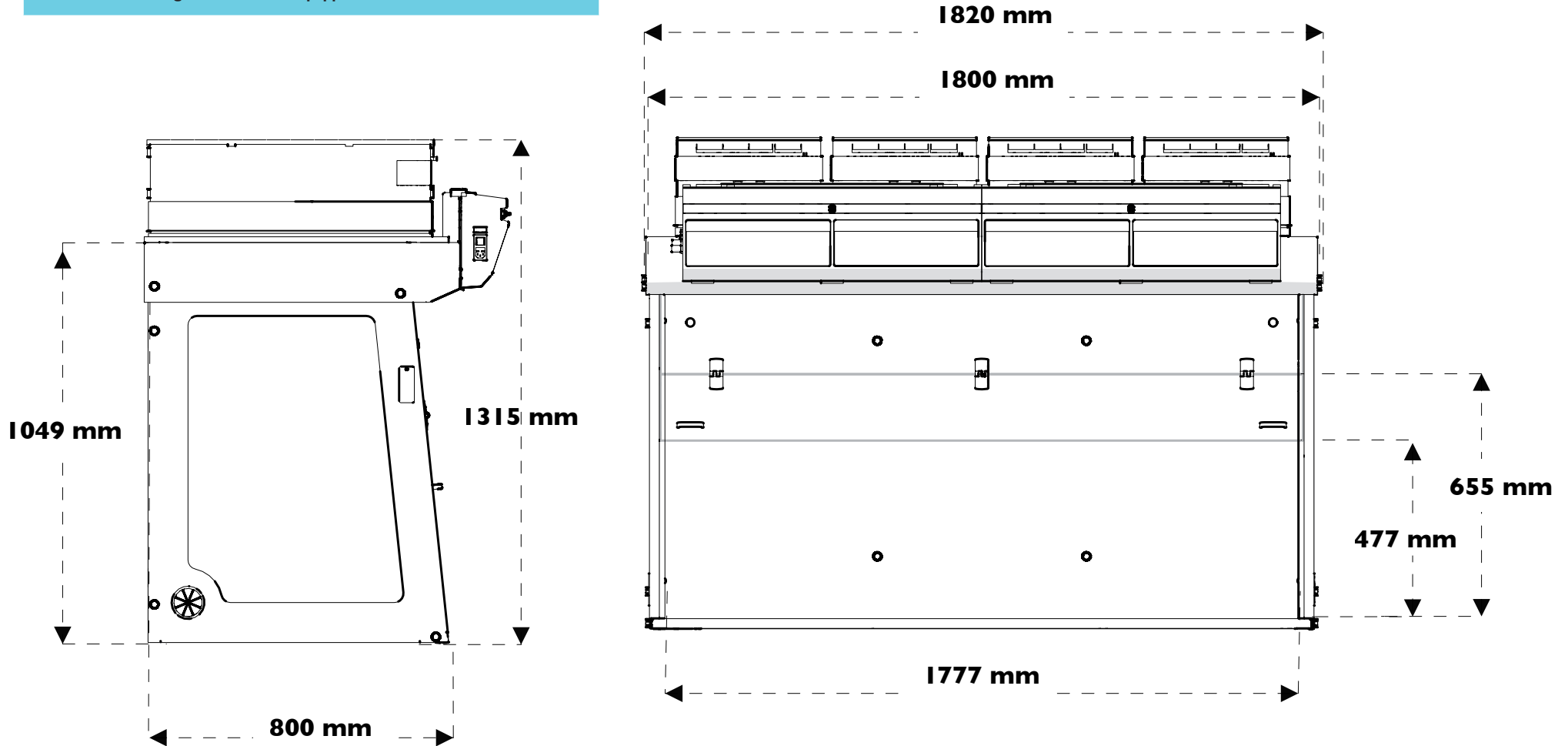
Compliance to standards

■ Air quality within the enclosure: ISO 5*

*When used in a cleanroom in compliance with ISO 9 / EN 14-644 standard.

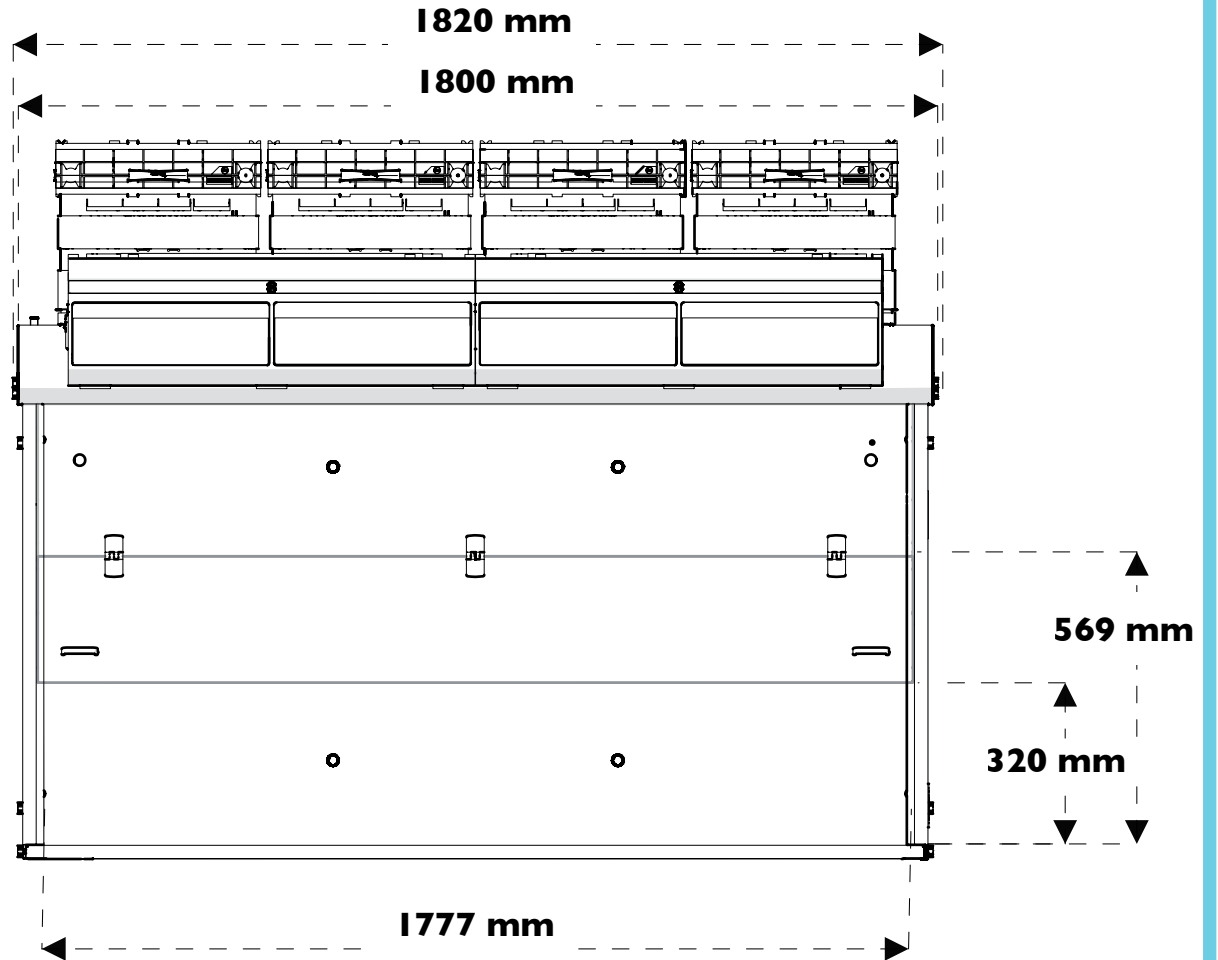
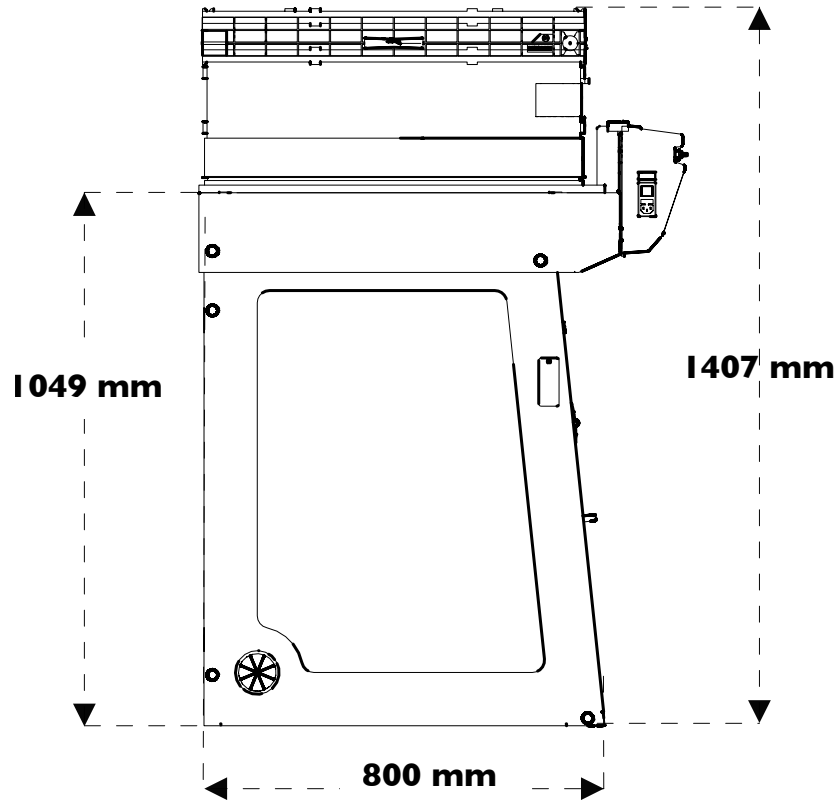


Technical drawings of the version equipped with the IP filtration column



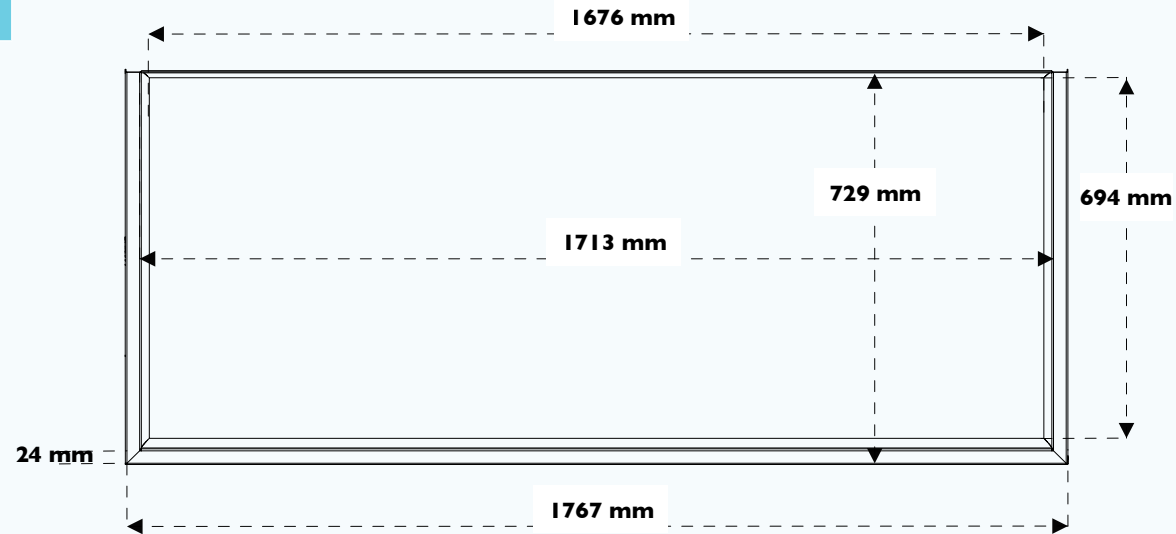


Technical drawings of the version equipped with the IPIC filtration column





Work surface N°1 Work surface in stainless steel
304 L with built-in retention tray



Work surface N°2 In phenolic resin with built-in
retention tray

