



Operations in an ultra-clean, dust-free environment:

- Non-pathogenic cell cultures
- In-vitro cultures
- Microbiology (Non-pathogenic)

- Homeopathic preparations in pharmacies,
- Electronics
- Optics, etc.

## Technical specifications

Dimensions (mm)						
Ref.	External dimensions			Internal dimensions without work surface		
	Width	Depth	Height mini/maxi	Width	Depth	Height
321	825	630	1160/1240	764	549	866

Structure	
Metallic parts	Anti-corrosion steel coated with 100% polyester
Side and front panels	High optical purity, colourless and transparent acrylic. Inert to most aggressive chemicals.
Filtration module	Injected polypropylene

Specifications	
Number of fans (IP44)	1
Processed air flow	IP: 265 m <sup>3</sup> /h IPIC: 164 m <sup>3</sup> /h
Voltage / Frequency	90-264 V / 50-60Hz
Total power consumption including electricity for the lights	70 W
Amperage absorbed	0,26 A
Air velocity at openings	0,3 m/s

Filtration column	
<p><b>Type IP</b> <b>HEPA H14 FILTER</b></p> <p>This filtration technology traps particles larger than 0.1 µm with 99.995% efficiency, according to the MPPS method set forth in the EN 1822-1 standard.</p>	
<p><b>Type IPIC :</b> <b>HEPA H14 Filter + molecular filter</b></p> <p>Adding a carbon filter to your vented cabinet allows you to protect its volume from gaseous pollutants present in your laboratory environment</p>	

## Equipment

Standard Equipment	
Flow monitor	Permanent ventilation control device
Internal lighting	Compact tubular fluorescent lighting - 18 Watts - 500 Lux - IP 67
Energy ports	For the passage of cables

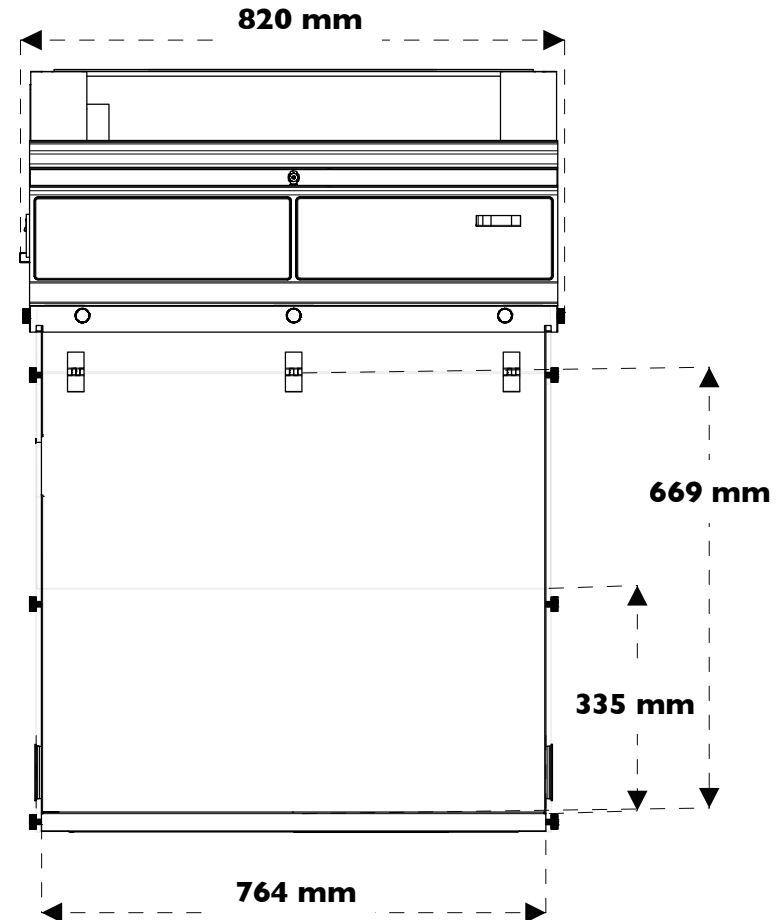
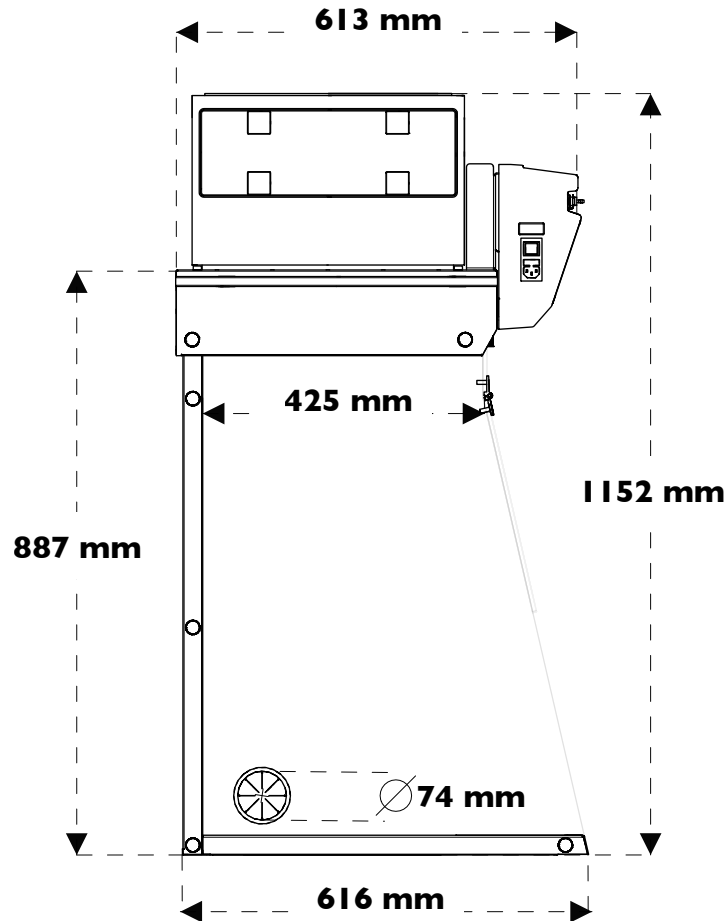
Options	
Work surface N°1	Work surface in stainless steel 304 L with built-in retention tray
Work surface N°2	In phenolic resin with built-in retention tray
Mobicap	Rolling cart made of anti-corrosion metallic alloy
Benchcap	Fixed work bench made of anti-corrosion metallic alloy
Shelf	Adjustable sliding shelf for Mobicap and Benchcap

## Compliance to standards

- Air quality within the enclosure: ISO 5\*
- \*When used in a cleanroom in compliance with ISO 9 / EN 14-644 standard.

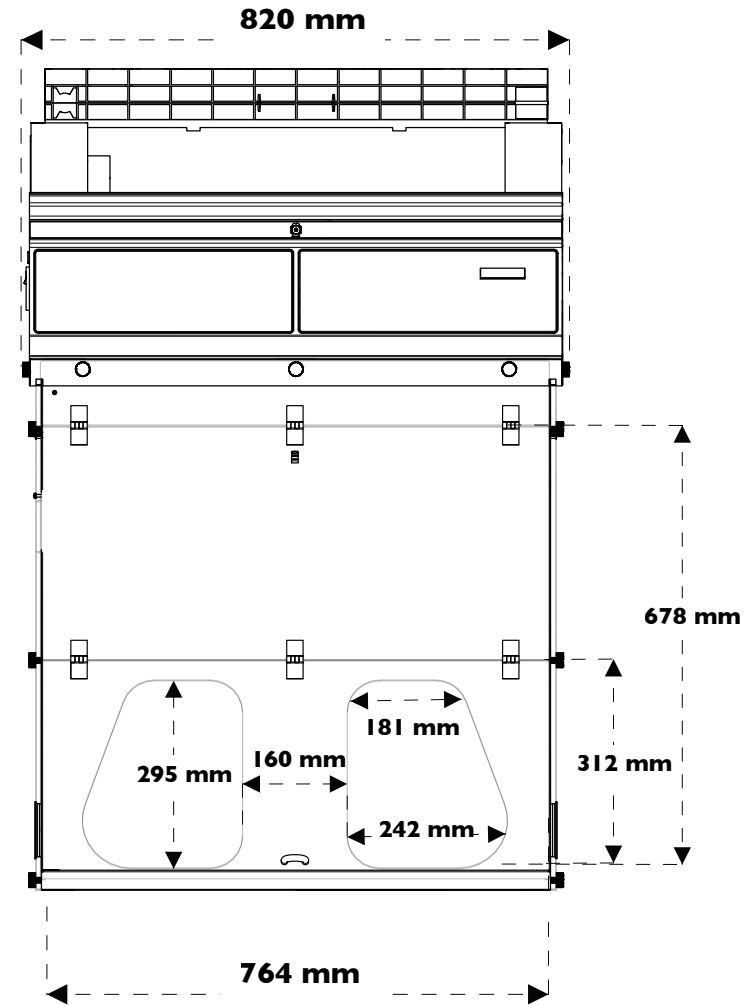
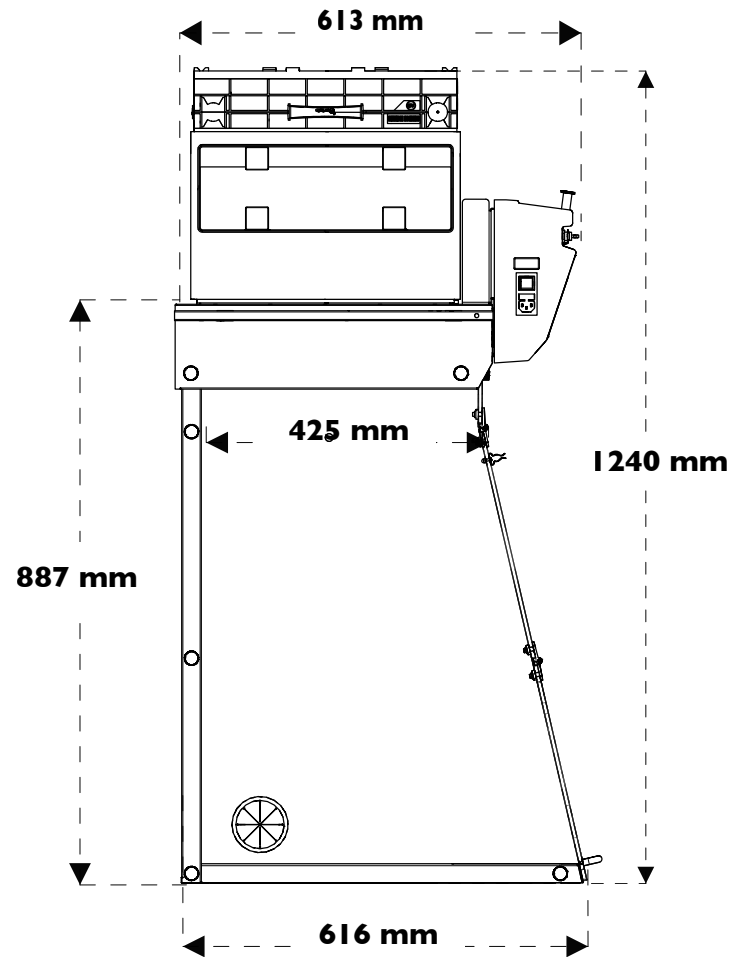


Technical drawings of the version equipped with the IP filtration column



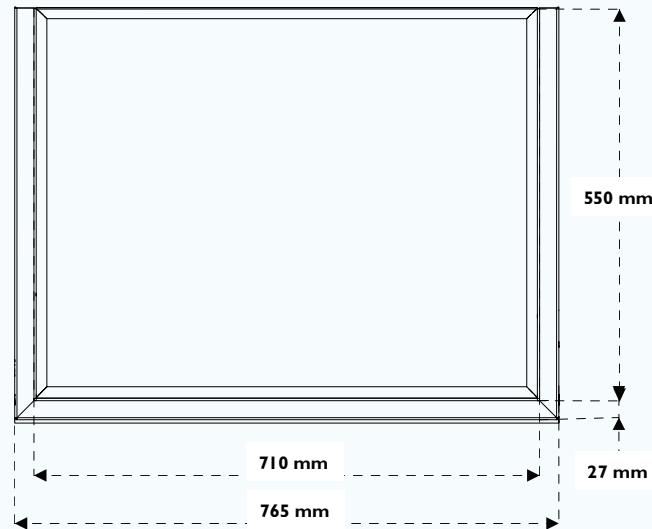


Technical drawings of the version equipped with the IPIC filtration column





**Work surface N°1** Work surface in stainless steel  
304 L with built-in retention tray



**Work surface N°2** In phenolic resin with built-in  
retention tray

