



# Halo Sense Smart

Lab air quality sensor

Life in the lab becomes Simpler *Safer*



Be informed about the air you breathe in the lab

## Wide spectrum of fumes and vapours

Halo Sense Smart has been designed to continuously monitor the lab air quality for a large spectrum of fumes and vapours.

## The solution to various pollution issues

Halo Sense Smart comes in 3 versions: Volatile Organic Compounds (VOC), Acid and Formaldehyde.

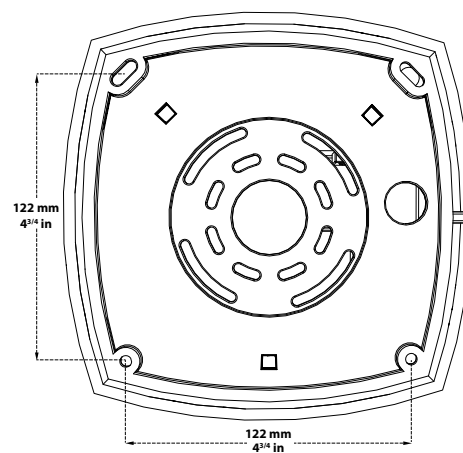
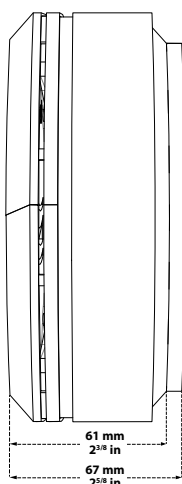
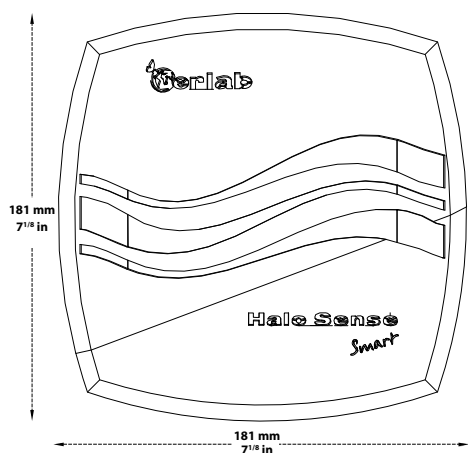
## Energy savings

Halo Sense Smart can be connected to building management systems. When no pollution is detected, the air change rate can be optimised hence reducing energy costs.

## SMART technology

Smart technology uses light communication to alert users in case of pollution. A soft band of light pulses to inform instantly about lab air quality. eGuard app sends safety alerts and notifications to allow a real time monitoring.





## Halo Sense Smart 3 versions

### VOC

For Labs with  
volatile organic compounds

### Formaldehyde

For Labs with  
Formaldehyde vapours

### Acid

For Labs with  
acid vapours

<b>Housing</b>	Lightweight, durable plastic		
<b>Detection</b>	Semiconductor sensor	Electro-chemical sensor	Electro-chemical sensor
<b>Weight</b>	1 kg - 2.2 lbs		
<b>Sensitivity</b>	5 sensitivity levels	3 sensitivity levels	
<b>Installation</b>	Equipped with removable turntable to allow installation on: wall, bench, ceiling		
<b>eGuard app</b>	App for remote control and monitoring		
<b>Energy consumption</b>	10 W		
<b>User Interface</b>	Simple communication by LED pulsation system / audible warning (can be disabled)		
<b>Voltage / frequency</b>	80-240V 50/60hz		
<b>Connectivity</b>	via Ethernet connector (RJ45 cable provided)		
<b>RJ45 cable</b>	Length: 3m		
<b>Voltage output 3.3 VDC</b>	1 permanent for alarm indicator (3.3V)		
<b>Coverage</b>	from 14 to 40m <sup>2</sup>		



## Download our eGuard app and see what Halo sense smart is sensing

eGuard sends alerts to your preferred device. If the lab air is polluted, it allows you to take action before pollution level becomes a hazard.



Available for smartphone and PC



France  
+33 (0) 2 32 09 55 80 | ventes@erlab.net

United States  
+1 800-964-4434 | captairsales@erlab.com

China  
+86 (0) 512 5781 4085 | sales.china@erlab.com.cn

Spain  
+34 936 732 474 | ventas@erlab.net

Germany  
0800 330 47 31 | verkauf@erlab.net

United Kingdom  
+44 (0) 1722 341 940 | salesuk@erlab.net

Italy  
+39 (0) 2 89 00 771 | vendite@erlab.net



www.erlab.com