

captairflow

M 391F

High Efficiency Particulate Air filters H 14 filtered enclosure
Effective protection products and/or samples



Operations in an ultra-clean, dust-free environment:

- Non-pathogenic cell cultures
- In-vitro cultures
- Microbiology (Non-pathogenic)
- Homeopathic preparations in pharmacies,
- Electronics
- Optics, etc.

Technical specifications

Dimensions (mm)						
Ref.	External dimensions			Internal dimensions without work surface		
	Width	Depth	Height mini/maxi	Width	Depth	Height
M 391F	1020	620	1161 - 1246	897	522	866

Specifications	
Number of UV lamp	1
Number of fans (IP44)	1
Processed air flow	230 m³/h
Voltage / Frequency	100-240V / 50-60Hz
Total power consumption including electricity for the lights	58 W
Amperage absorbed	0.58 A
Air velocity at openings	>0,3 m/s
Glass worktop retention volume (L)	6.4 L
Resin worktop retention volume (L)	6.1 L

Structure	
Metallic parts	Anti-corrosion steel coated with 100% polyester
Front panels	6 mm thick acrylic
Side panels	4 mm thick acrylic
Filtration module	Injected polypropylene

Filtration column	
<p>Type IP High Efficiency Particulate Air filters H 14 This filtration technology traps particles larger than 0.3 µm with 99.995% efficiency, according to the MPPS method set forth in the EN 1822-1 standard class 5 (or class 100 according to FED standard 209e).</p>	
<p>Type IPIC High Efficiency Particulate Air filters H 14 +molecular filter Adding a carbon filter to your vented cabinet allows you to protect its volume from gaseous pollutants present in your laboratory environment</p>	

Equipment

Standard Equipment	
Bactericidal UV Lamps:	15W - Wavelength : 254 nm
UV cut-off	Automatic shut off of the UV lamp when the front shield is opened
U.V. Timer	UV timer set up : from 1 to 30 minutes
Pressure meter	Controls pre-filter Clogging and High Efficiency Particulate Air filters H 14 clogging
Flow monitor	Permanent ventilation control device
Internal lighting	Compact tubular fluorescent lighting - 18 Watts - 500 Lux - IP 67
Energy ports	For the passage of cables

Options	
Glass worktop	High thickness 25mm. Non-conductive material, very high mechanical and chemical resistance. Built-in spill tray
Stainless steel worktop	High quality brushed 304 stainless steel 1.5mm thickness. Smooth round angles, easy to clean. Prevents bacterial contamination.
Solid Phenolic resin Worktop	High thickness 25mm. Non-conductive material, very high mechanical and chemical resistance. Built-in spill tray.
Benchcap	Fixed work bench made of anti-corrosion metallic alloy
Shelf	Adjustable sliding shelf for Benchcap

Compliance to standards

- Air quality within the enclosure: ISO 5*
- *When used in a cleanroom in compliance with ISO 9 / EN 14-644 standard.



Erlab, Inc. - 388 Newburyport Turnpike, Rowley, MA 10969
P: (800) 964-4434 E: captairsales@erlab.com

www.erlab.com

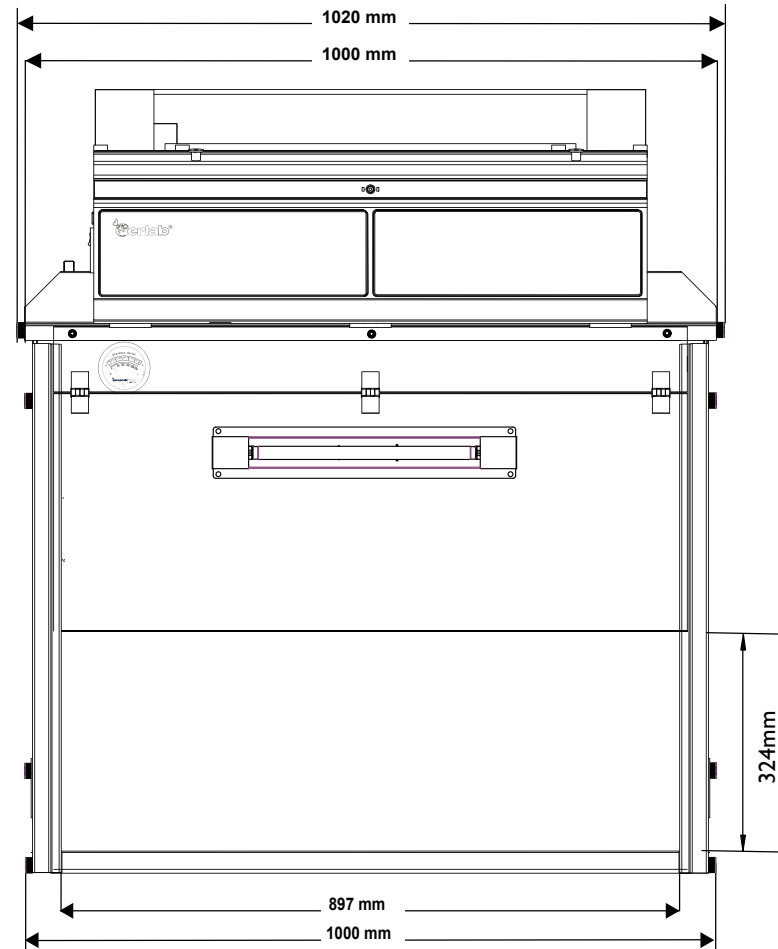
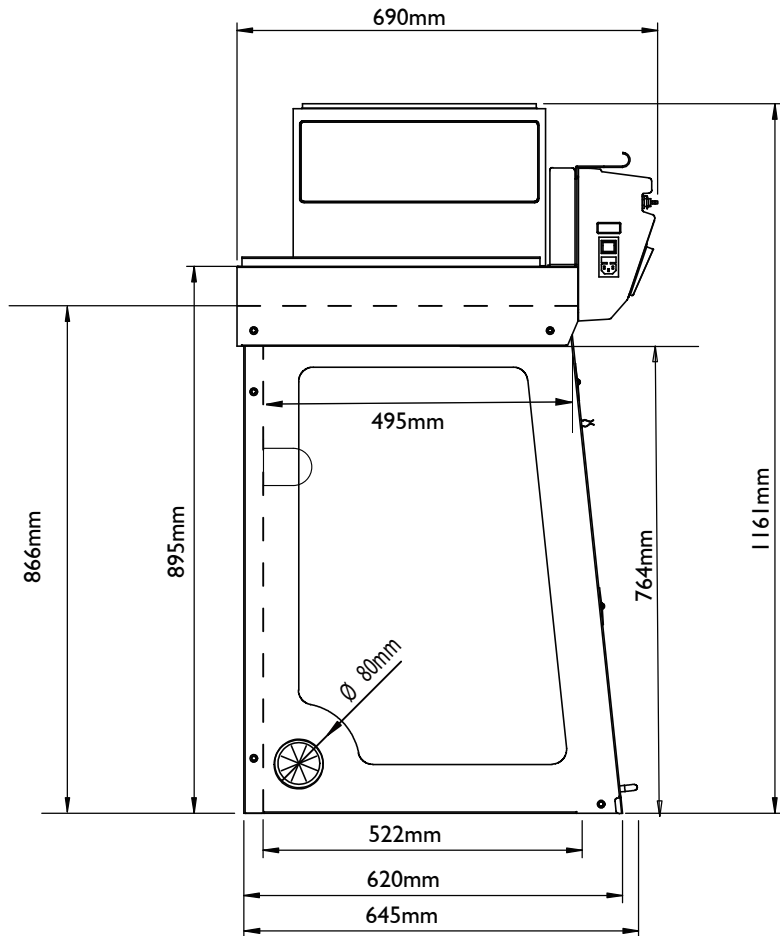
captairflow

M 391F

High Efficiency Particulate Air filters H 14 filtered enclosure
Effective protection products and/or samples



Technical drawings of the version equipped with the IP filtration column



Erlab, Inc. - 388 Newburyport Turnpike, Rowley, MA 10969
P: (800) 964-4434 E: captairsales@erlab.com

www.erlab.com

Please consider the environment before printing this document.

Technical data are not contractual. Erlab® reserves the right to modify the present document without prior notice.

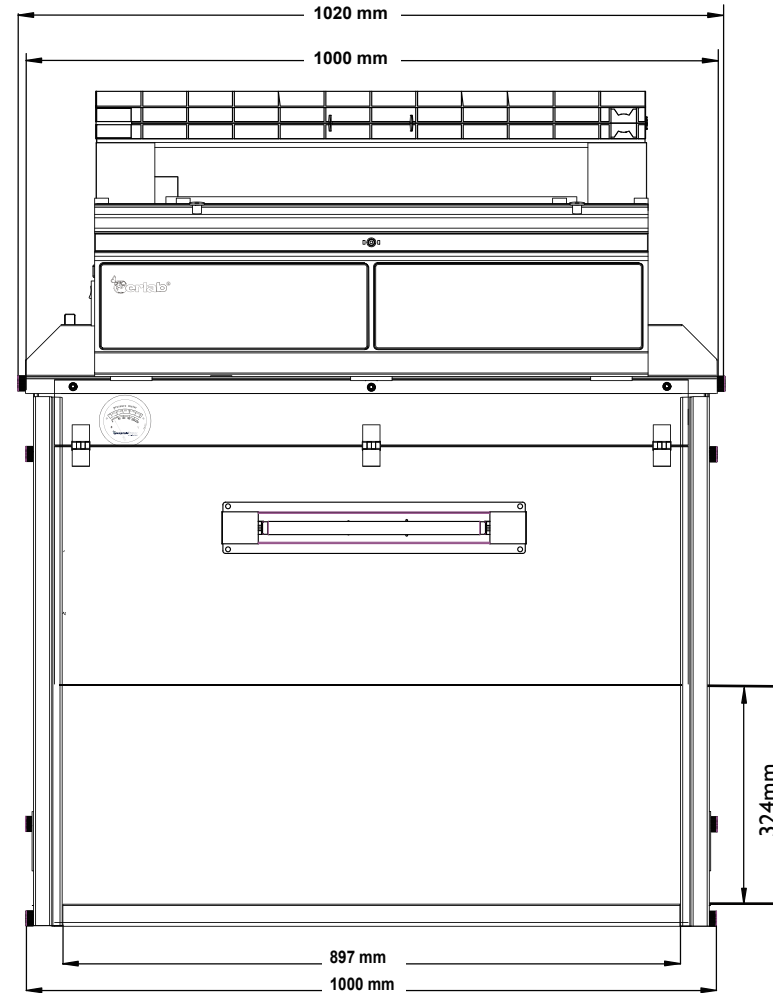
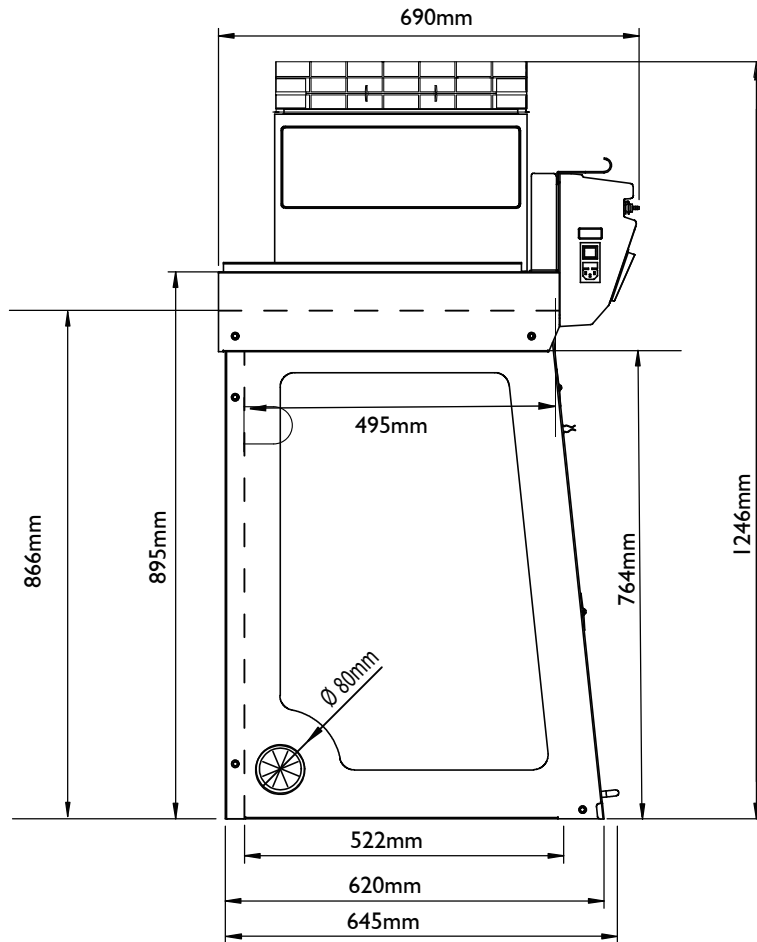
captairflow

M 391F

High Efficiency Particulate Air filters H 14 filtered enclosure
Effective protection products and/or samples



Technical drawings of the version equipped with the IPIC filtration column



Erlab, Inc. - 388 Newburyport Turnpike, Rowley, MA 10969
P: (800) 964-4434 E: captairsales@erlab.com

www.erlab.com

Please consider the environment before printing this document.

Technical data are not contractual. Erlab® reserves the right to modify the present document without prior notice.

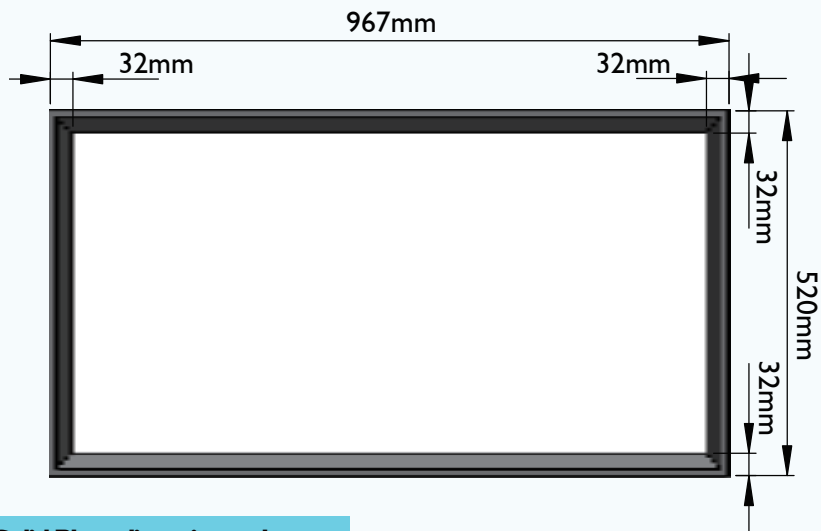
captairflow

M 391F

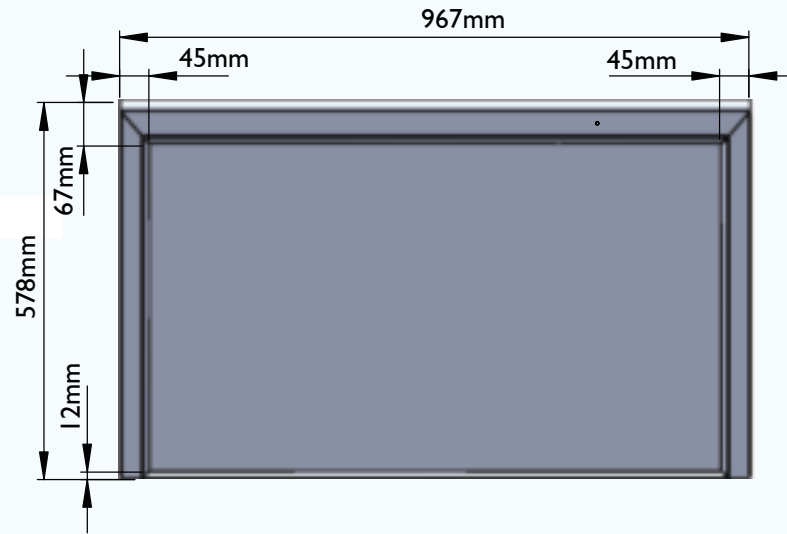
High Efficiency Particulate Air filters H 14 filtered enclosure
Effective protection products and/or samples



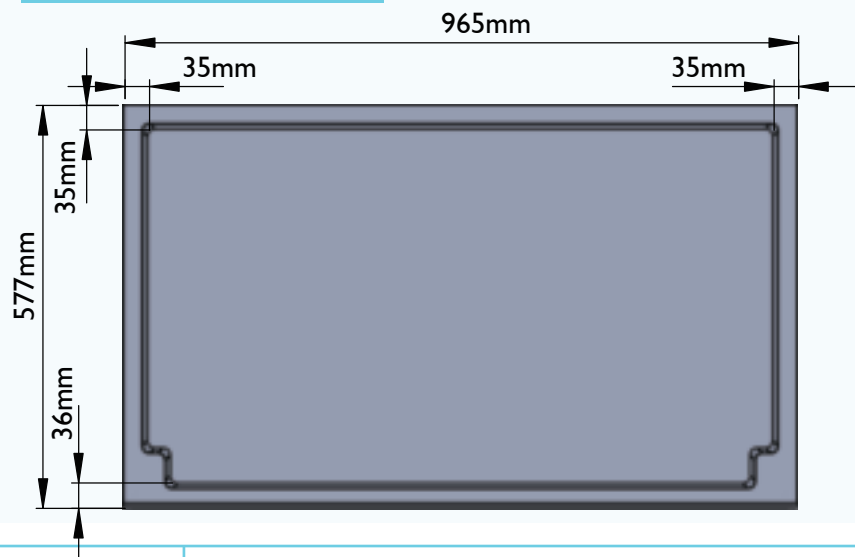
Enamel coated glass worktop



Stainless steel worktop



Solid Phenolic resin worktop



Erlab, Inc. - 388 Newburyport Turnpike, Rowley, MA 10969
P: (800) 964-4434 E: captairsales@erlab.com

www.erlab.com